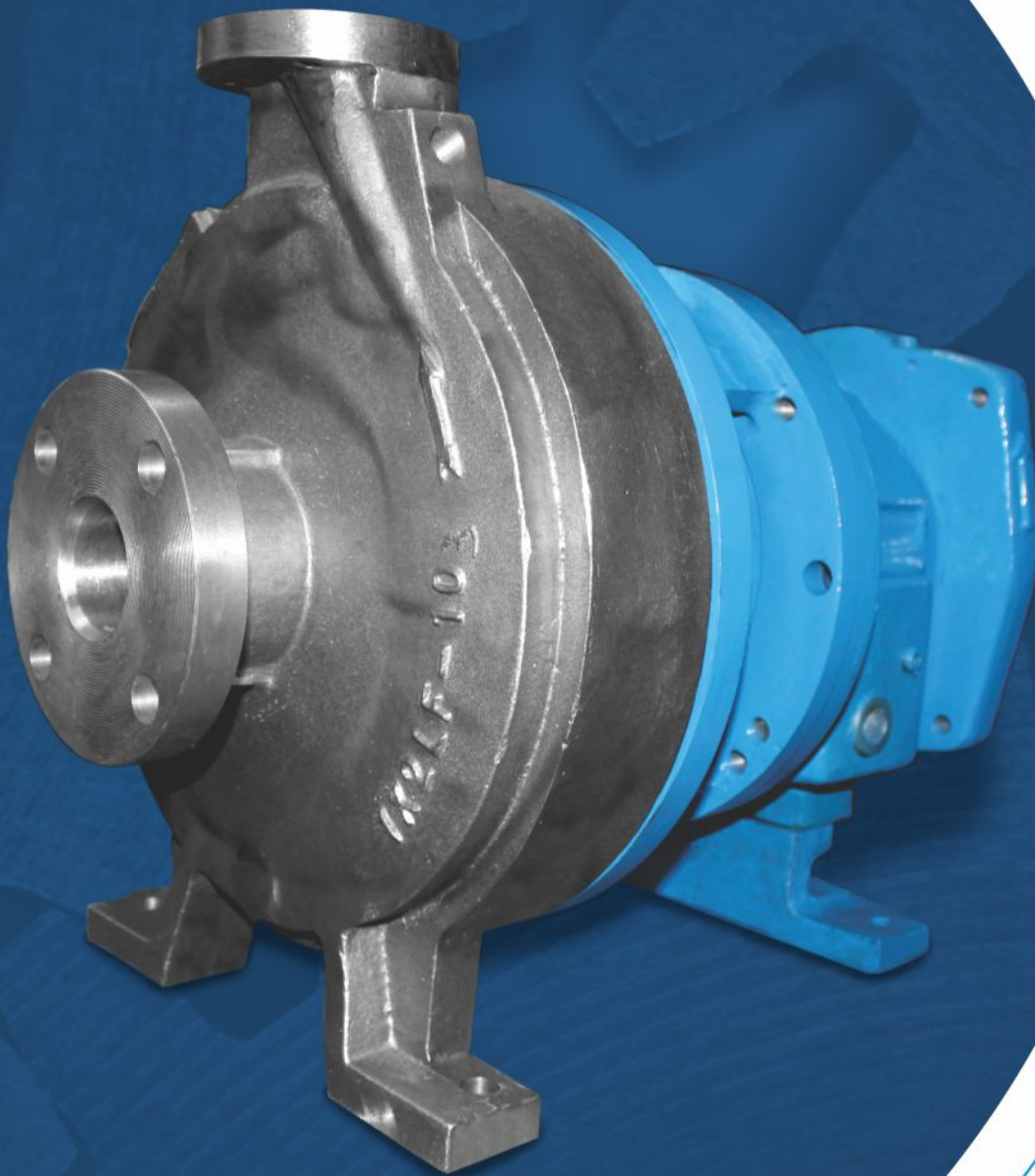




"A Trusted Partner in Pump Solutions"

# ANSI LOW FLOW PUMPS

## 1196 LF SERIES





**MODEL LF 1196 STR**  
(1x1 1/2-4, 1x1 1/2-8)



**MODEL LF 1196 MTR / LTR**  
(1x2-10 MTR / LTR, 1 1/2x3-13 LTR)

THE **LF 1196** PROCESS PUMP LINE IS SPECIFICALLY DESIGNED TO PROVIDE SUPERIOR PERFORMANCE FOR LOW FLOW SERVICES OF THE CHEMICAL PROCESS INDUSTRIES.

## SPECIFICATIONS

- ▶ Capacities up to 220 GPM (50 m<sup>3</sup>/h)
- ▶ Heads up to 925 feet (282 m)
- ▶ Temperatures up to 700° F (371° C)
- ▶ Pressures up to 450 PSIG (3102 kPa)

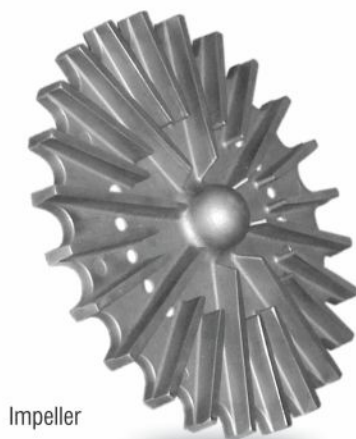
## FEATURES

- ▶ Concentric (Circular) Casing
- ▶ Radial Vane Impeller
- ▶ R-Series Power Ends
- ▶ LargeBore Stuffing Box
- ▶ Back Pull-out Design
- ▶ Parts Interchangeable with Rotech Model 1196
- ▶ External Impeller Adjustment
- ▶ Easy Retrofit

## SERVICES

- ▶ Corrosive Chemicals
- ▶ Boiler Feed
- ▶ Condensate
- ▶ High Pressure Process
- ▶ Column Reflux
- ▶ Coulmn Bottoms
- ▶ Hot Oil
- ▶ Sea Water

## IMPELLER & CASING:



Impeller



Casing 1 X 2 - 10LF

# CONSTRUCTION DETAILS

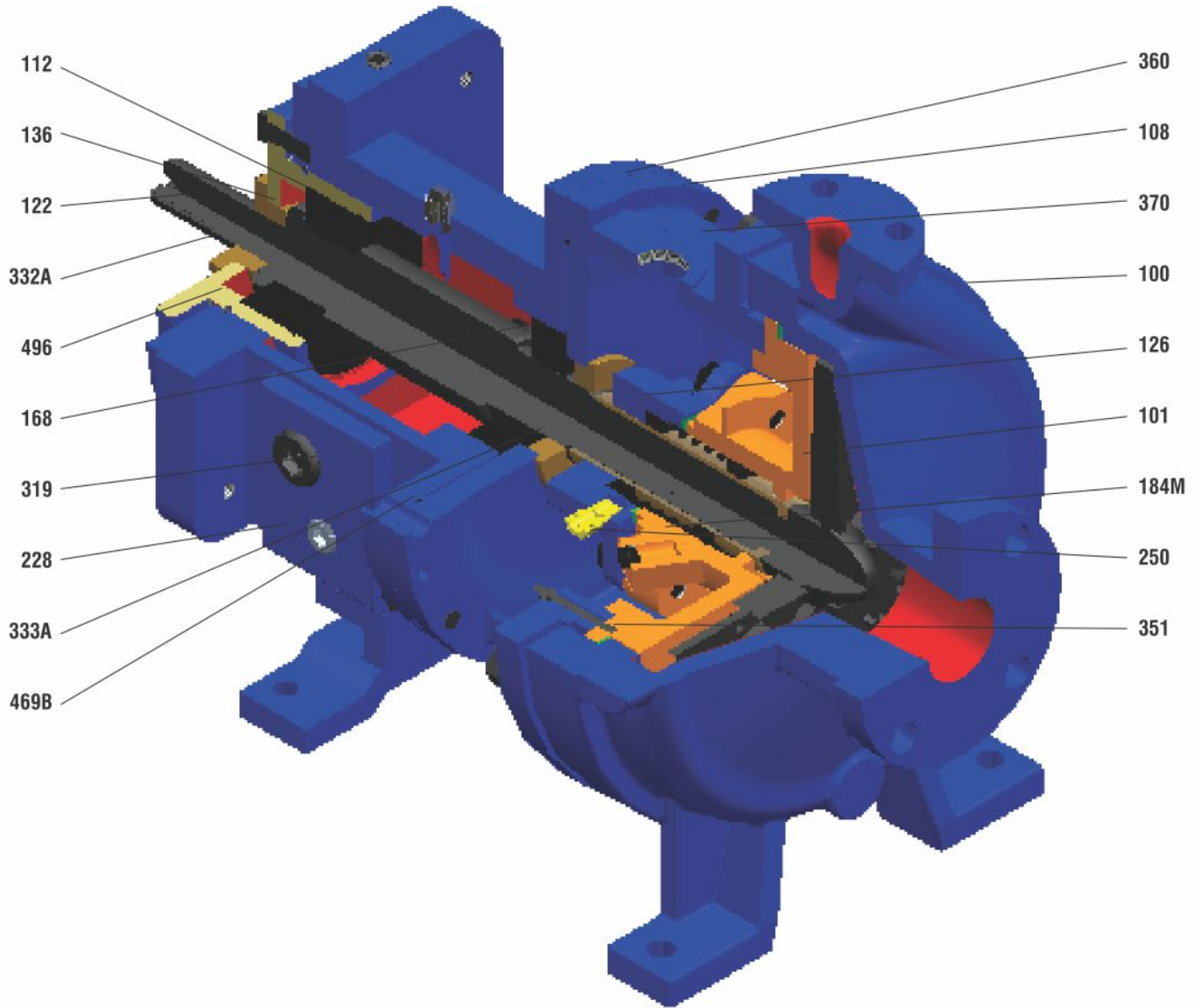
All Dimensions in inches and (mm)

		STR	MTR	LTR
<b>Shaft</b>	<b>Diameter at Impeller</b>	0.75(19)	1(25)	1.25(32)
	Diameter in Stuffing Box/Seal Chamber Without Sleeve	1.375(35)	1.75(45)	2.125(54)
	With Sleeve	1.125(29)	1.5(38)	1.875(48)
	Diameter Between Bearings	1.5(38)	2.125(54)	2.5(64)
	Diameter at Coupling	0.875(22)	1.125(29)	1.875(48)
	Overhang	6.125(156)	8.375(213)	8.375(213)
	Maximum Shaft Deflection	0.002(0.05)		
<b>Sleeve</b>	O.D. thru Stuffing Box/seal Chamber	1.375(35)	1.75(45)	2.125(54)
<b>Bearings</b>	Radial	SKF 6207	SKF6309	SKF6311
	Thrust	SKF 5306 A/C3	SKF 5309A/C3	SKF 7310 BECBM
	Bearing Span	4.125(105)	6.75(11)	6.875(164)
	Average L'10 Bearing	87.600 hours		
<b>Large Bore Seal</b>	Bore	2.875(73)	3.5(89)	3.875(98)
<b>Stuffing Box</b>	Bore	2(51)	2.5(64)	2.875(73)
<b>Power Limits</b>	HP (kW) per 100 RPM	1.1(0.82)	3.4(2.6)	5.6(42)
	Oil/Grease Lubrication without Cooling	350° F (177° C)		
	Oil Lubrication with Finned Cooler	500° F (260° C)		
	Oil Lubrication with High Temperature Option	700° F (371° C)		
<b>Casing</b>	Corrosion Allowance	0.125(3)		





# MTR SECTIONAL VIEW

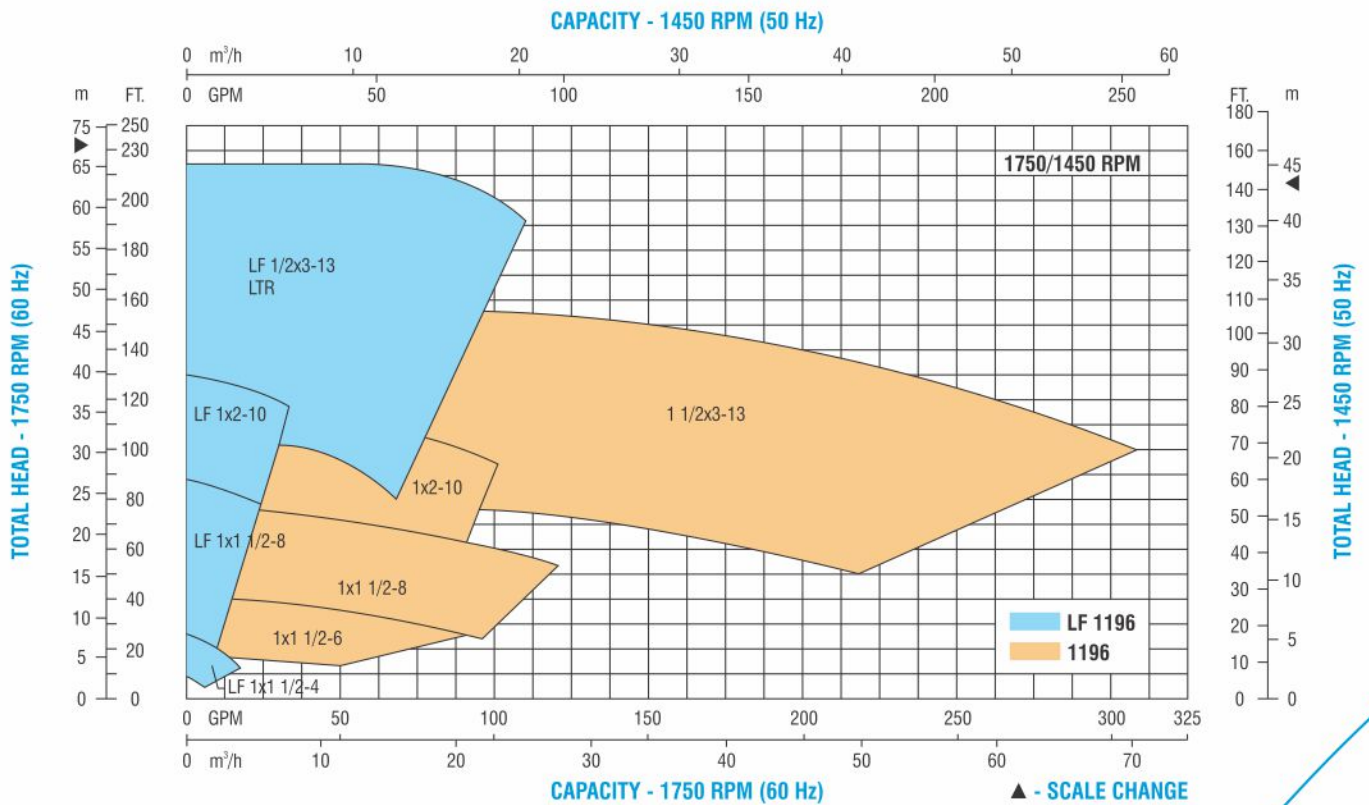
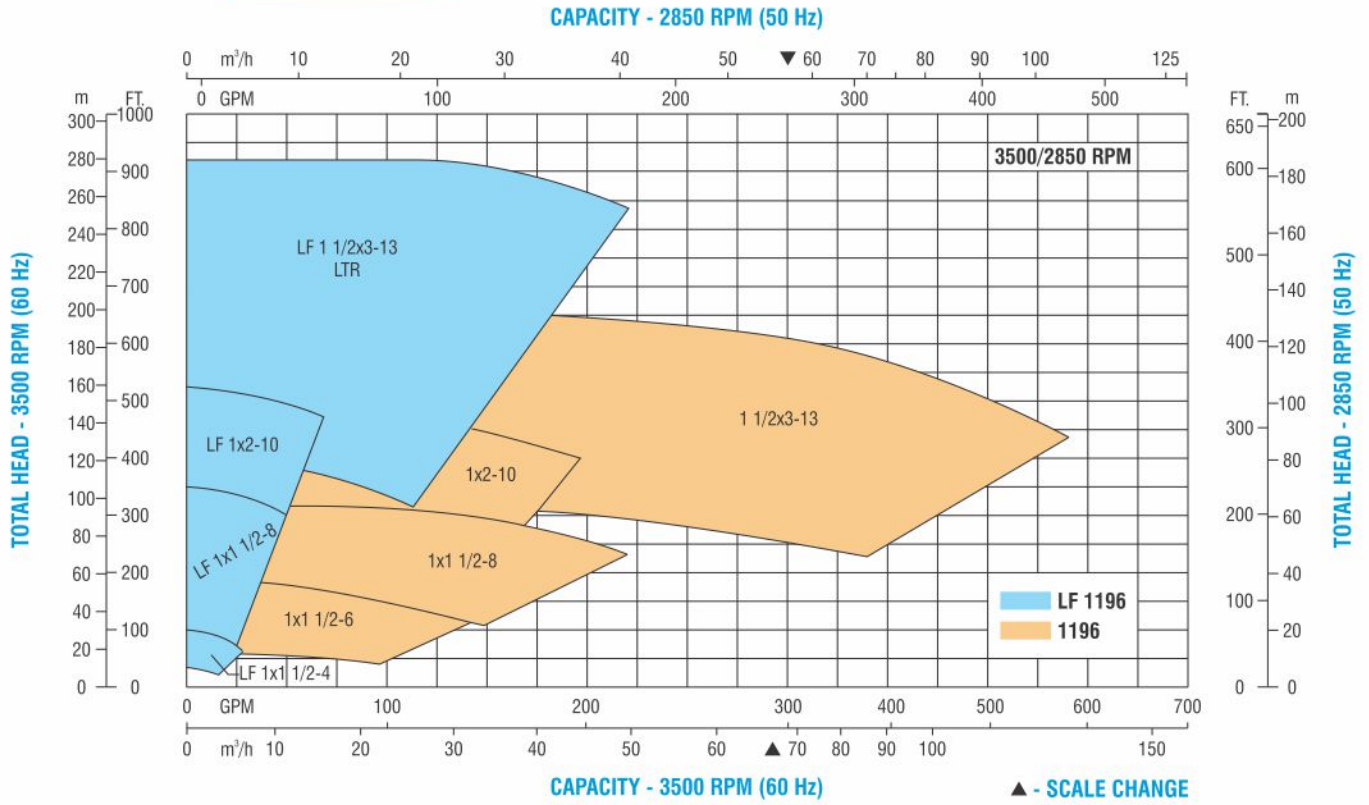


# PART LIST & MATERIALS OF CONSTRUCTION

PART NOS	PART DESCRIPTION	MATERIAL OF CONSTRUCTION				
		DUCTILE IRON	316 SS	CD4MCu	ALLOY 20	HASTELLOY B & C
100	Casing	Ductile Iron	316 SS	CD4MCu	Alloy 20	Hastelloy
101	Impeller	316 SS	316 SS	CD4MCu	Alloy 20	Hastelloy
105	Lantern Ring (Not Illustrated)	Glass Filled Teflon*				
106	Stuffing Box Packing (Not Illustrated)	Teflon* Impregnated Fibers				
108	Frame Adapter	Ductile Iron				
112	Thrust Bearing	Double Row Angular Contact***				
122	Shaft - Less Sleeve (Optional)	SAE4140	316 SS		Alloy 20	Hastelloy
122	Shaft - With Sleeve	SAE4140				316 SS
126	Shaft Sleeve	316 SS		Alloy 20		Hastelloy
136	Bearing Locknut & Lockwasher	Steel				
168	Radial Bearing	Single Row Deep Groove				
184	Stuffing Box Cover (Packed Box)	Ductile Iron	316 SS	CD4MCu	Alloy 20	Hastelloy
184M	Seal Chamber (Mechanical Seal)	Ductile Iron	316 SS	CD4MCu	Alloy 20	Hastelloy
228	Bearing Frame	Cast Iron (Ductile Iron for STR Group)				
250	Gland	316 SS		CD4MCu	Alloy 20	Hastelloy
265A	Stud/nut, Cover to Adapter	304 SS				
319	Oil Sight Glass	Glass / Steel				
332A	Labyrinth Oil Seal (Outboard)	Carbon-Firred Teflon* with Viton O-Ring				
333A	Labyrinth Oil Seal (Inboard)	Carbon-Firred Teflon* with Viton O-Ring				
351	Casing Gasket	Aramid Fiber with EPDM Rubber				
358A	Casing Drain Plug (Optional)	Steel	316 SS	CD4MCu	Alloy 20	Hastelloy
360	Gasket, Frame -to- Adapter	Manila Paper				
370	Cap Screw, Adapter -to- Casing	Steel	304 SS			
418	Jacking Bolt	304 SS				
444	Backplate (Dynamic Seal Option)	Steel	316 SS	CD4MCu	Alloy 20	Hastelloy
469B	Dowel Pin	Steel				
496	O-Ring, Bearing House	Buna Rubber				
496A	O-Ring, Impeller	Glass-Filled Teflon*				

\*E.I. DuPont Reg. Trademark    \*\* LTR Power End Features Duplex Angular contact

# HYDRAULIC COVERAGE







# ROTECH'S OTHER PRODUCTS

- ▶ DNJ Series End Suction Close Coupled Pumps
- ▶ DN Series End Suction Frame Mounted Pumps
- ▶ 1196 Series ANSI Chemical Process Pumps
- ▶ 1296 Series ANSI Close Coupled Pumps
- ▶ 1796 Series ANSI Self Priming Pumps
- ▶ RCP Series End Suction Pumps
- ▶ RST Series Stainless Stamped End Suction Pumps
- ▶ RVMS Series Vertical Multistage Centrifugal Pumps
- ▶ RVI80 Series Vertical Inline Pumps
- ▶ SPT/SPU Series Self Priming Trash Pumps
- ▶ SCP/SFP Series Self Priming Pumps
- ▶ S100 Series Sanitary Centrifugal Pumps
- ▶ L100 Series Lobe Pumps
- ▶ RDSL Series Horizontal Multistage Centrifugal Pumps
- ▶ 3100 Series NPT & 5100 Series Flanged Ball Check Valves
- ▶ Various Mechanical Seals

Apart from the listed above,  
we offer an array of other products too.  
Contact us for further details.



"A Trusted Partner in Pump Solutions"

1320 Britannia Road East  
Mississauga, Ontario, Canada. L4W 1C8

Phone: (905) 461-9617 | Fax: (905) 461-9618  
Toll Free: 1-866-217-PUMP (7867)  
Email: [sales@rotechpumps.com](mailto:sales@rotechpumps.com) | [www.rotechpumps.com](http://www.rotechpumps.com)